

UWD-1043

Ultra Wide High-brightness 43" Display



Features

- 43 inch color TFT LCD Display with LED Backlight
- Special aspect ratio 16:3, wide resolution 3840x720
- High Brightness 1000 nits, Sunlight Readable
- HDMI, DisplayPort Interface
- 24V DC, Low Power Consumption



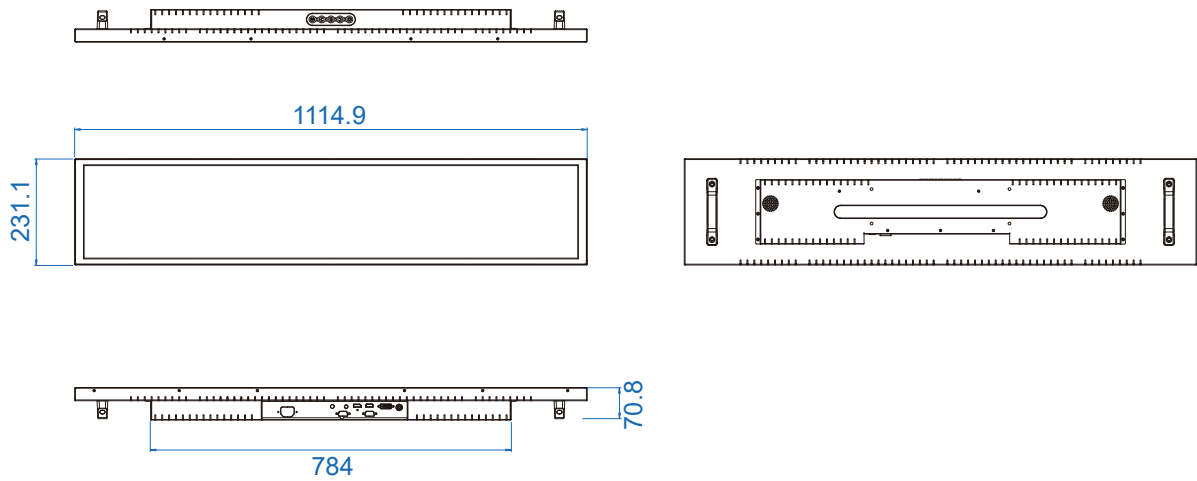
Specifications

Display	
Screen size	43"
Display Area	1073.78 (H) x 201.33 (V)
Brightness (cd/m ²)	1000
Resolution	3840 x 720
Aspect Ratio	16:3
Contrast Ratio	2700:1
Pixel Pitch (mm)	0.2796 (H) x 0.2796 (V)
Pixel Per Inch (PPI)	91
Viewing Angle	178 (H) x 178 (V)
Color Saturation (NTSC)	83%
Display Colors	1.07G
Response Time (Typical)	12ms
Panel Interface	V-by-One
Input Interface	<ul style="list-style-type: none"> ▪ 1 HDMI ▪ 1 DisplayPort ▪ 1 DVI

OSD Key	
OSD Key	5 Keys (power Switch, Menu, +, -, Exit)
OSD Control	Brightness, Color, Contrast, Auto Tuning, H/V Position...etc
Power	
Input Power	24V
Power Consumption	57W
Mechanical	
Dimension	1114.9 x 231.1 x 70.8
Bezel Size	14.89/14.88/20.56/20.56 mm
Mounting	VESA 300x75
Weight	8.9Kg
Environment	
Operating Temp.	-20°C to 60°C
Storage Temp.	-20°C to 60°C
EMC	CE, FCC

Dimensions

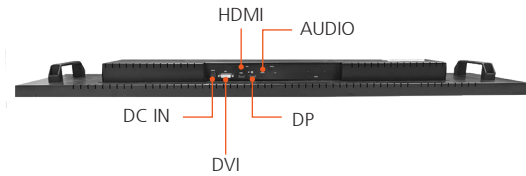
Unit : mm/ inch



Top I/O



Bottom I/O



Order Information

ULD-1043

Ultra Wide 43" (16:3) Display, 1000nits Display

Accessories

PWA-120WM4P1

120W, 24V, 90V AC to 264V AC Power Adapter with 4-pin Mini-DIN Connector